

Little GIANT[®]

VCL-14 SERIES



Features

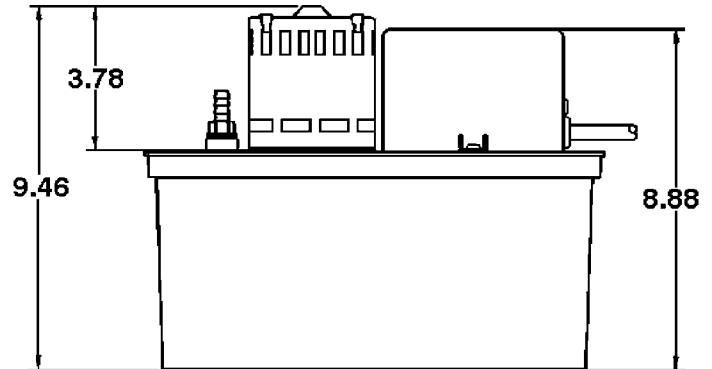
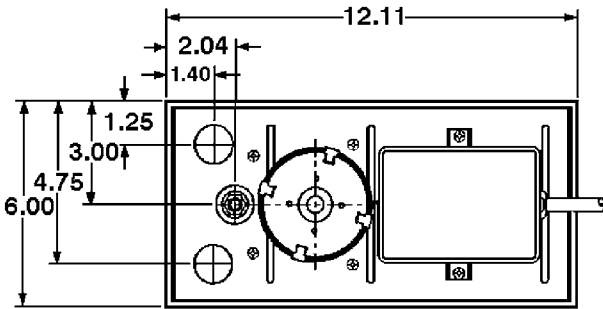
- Vertical type pump unit
- Leakproof, rustproof, ABS tank
- ABS switch cover and pump stand
- Galvanized steel tank cover
- Stainless steel motor shaft
- 3/8" O.D. barbed discharge adapter
- Safety switch included
- 14' shut-off head
- UL/CSA listed
- Thermal overload protected

Construction

- Motor — 1/50 HP
- Intermittent Liquid Temp. up to — 120°F
- Discharge — 3/8" barbed
- Housing — N/A
- Cover — Galvanized steel
- Volute — ABS
- Impeller — Polypropylene
- Shaft Seal — N/A
- Screen — ABS
- Electrical — 115 V, 60 Hz, 1.0 Amps, thermally protected

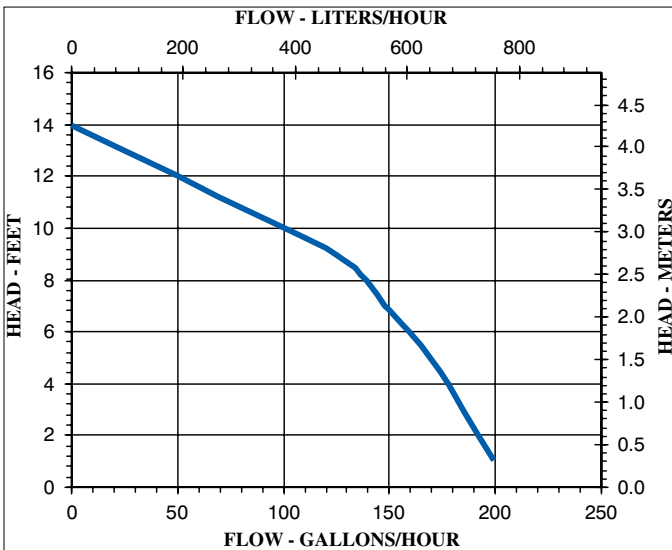
Large, 1 gallon, ABS plastic tank condensate unit. Pumps feature a vertical-type pump with stainless steel motor shaft, and galvanized steel tank cover. Discharge is a 3/8" O.D. barbed tubing adapter. Pump features a safety switch that can be connected to shut down the air conditioner condenser or wired to an alarm to warn of possible tank overflow. Pump is rated for high-efficiency gas furnace applications that produce an acidic condensate. Thermally protected motor is UL and CSA listed.

VCL-14 SERIES



Specifications

Model No.	Item No.	Discharge Size	Listing(s)	HP	Volts	Hertz	Amps	Watts	Performance (GPH@Head)				Shutoff		Cord Length (ft.)	Weight (lbs.)
									1'	3'	5'	9'	Ft.	P.S.I.		
VCL-14ULS	553101	3/8" OD Barbed	UL/CSA	1/50	115	60	1.0	78	200	185	170	125	14	6.1	6	6.80



Replacement Parts

Tank	153502
Cover, Tank	153220
Stand/Volute	153100
Cover, Volute	153110
Float/Switch Assy	153537
Impeller	153132
Safety Switch Assy	154713
Motor Assy	977234
Cover, Switch	153120
Adapter, 3/8"	153300
Seal Ring	924038