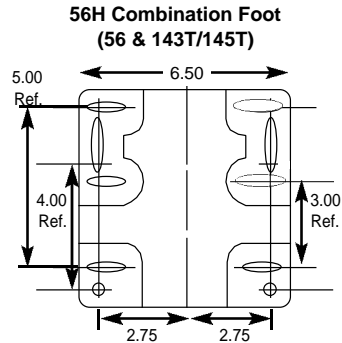
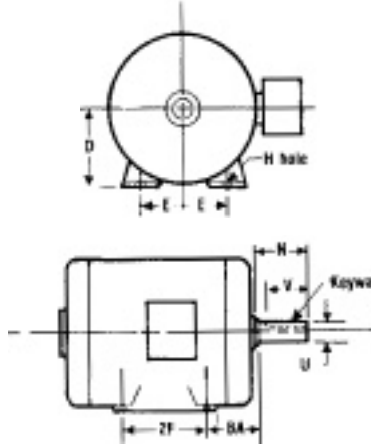
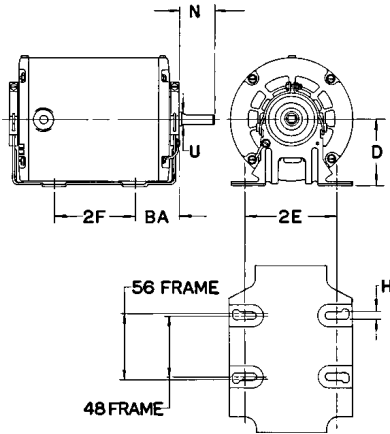


## NEMA Standard Motor Dimensions

- General Purpose Motors
- Single and Three Phase 143T-326T Frame

### Dimensions

Drip-proof, Totally Enclosed Fan Cooled and Explosion Proof. All dimensions are approximate, not to be used for construction purposes. Note: Drawing shows rigid base. Foot mounting dimensions listed are identical for either rigid or resilient base mounting. For 56H Combination Foot, refer to Diagram 1. For C Flange motors, refer to Diagram 2.



**Diagram 1**  
 Suffix "Y" = Special Mount Dim.  
 Suffix "Z" = Special Shaft Dim.

## All Dimensions in Inches

NEMA Frame	D	2E	2F	BA	H	N(Min)	U	Wide	Thick	Long
48	3.00	4.25	2.75	2.50	0.34 SLOT	1.50	0.500	—	0.453 FLAT	—
56	3.50	4.88	3.00	2.75	0.34 SLOT	1.88	0.625	0.19	0.19	1.38
56H	3.50	4.88	5.00	2.75	0.34 SLOT	1.88	0.625	0.19	0.19	1.38
56HZ	3.50	4.88, 5.00	3.00, 4.00	2.75	0.34 SLOT	1.94	0.875	0.19	0.19	1.38

Notes: NEMA 56H and 56HZ bases contain the mounting hole dimensions for NEMA 56, 143, and 145 frames.

NEMA Frame	Keyway	BA	D(1)	E	2F	H	N	U (2)	V(3)
143T	$\frac{3}{16} \times \frac{3}{32}$	2.25	3.50	2.75	4.00	11/32	2.31	.875	2.00
145T	$\frac{3}{16} \times \frac{3}{32}$	2.25	3.50	2.75	5.00	11/32	2.31	.875	2.00
182T	$\frac{1}{4} \times \frac{1}{8}$	2.75	4.50	3.75	4.50	13/32	2.81	1.125	2.50
184T	$\frac{1}{4} \times \frac{1}{8}$	2.75	4.50	3.75	5.50	13/32	2.81	1.125	2.50
213T	$\frac{5}{16} \times \frac{5}{32}$	3.50	5.25	4.25	5.50	13/32	3.50	1.375	3.13
215T	$\frac{5}{16} \times \frac{5}{32}$	3.50	5.25	4.25	7.00	13/32	3.50	1.375	3.13
254T	$\frac{3}{8} \times \frac{3}{16}$	4.25	6.25	5.00	8.25	17/32	4.25	1.625	3.75
256T	$\frac{3}{8} \times \frac{3}{16}$	4.25	6.25	5.00	10.00	17/32	4.25	1.625	3.75
284T	$\frac{1}{2} \times \frac{1}{4}$	4.75	7.00	5.50	9.50	17/32	4.88	1.875	4.38
284TS	$\frac{3}{8} \times \frac{3}{16}$	4.75	7.00	5.50	9.50	17/32	3.50	1.625	3.00
286T	$\frac{1}{2} \times \frac{1}{4}$	4.75	7.00	5.50	11.00	17/32	4.88	1.875	4.38
286TS	$\frac{3}{8} \times \frac{3}{16}$	4.75	7.00	5.50	11.00	17/32	3.50	1.625	3.00
324T	$\frac{1}{2} \times \frac{1}{4}$	5.25	8.00	6.25	10.50	21/32	5.50	2.125	5.00
324TS	$\frac{1}{2} \times \frac{1}{4}$	5.25	8.00	6.25	10.50	21/32	4.00	1.875	3.50
325T	$\frac{1}{2} \times \frac{1}{4}$	5.25	8.00	6.25	12.00	21/32	5.50	2.125	5.00
326TS	$\frac{1}{2} \times \frac{1}{4}$	5.25	8.00	6.25	12.00	21/32	4.00	1.875	3.50

Notes: (1) Dimension "D" tolerance 8" or less, +.000, -.031; over 8" +.000, -.062. (2) Dimension "U" tolerance: 1½" dia. or less, +.0000, -.0005; over 1½" dia., +.000, -.001. (3) Dimension "V" is usable length of shaft.