

# 5" Diameter Totally Enclosed Fan/Blower Motors

## Unit Heater

### Features

- Auto Protector
- Mounted Capacitor (PSC)
- Continuous Air Over
- Multiple Mount
- 42 & 48 Frame
- Sleeve and Ball Bearing
- 60 HZ only
- 40° C Ambient



Type A

### SHADED POLE

HP	RPM	Volts	Amps	Frame	Stock Number	Bear-ings	Rota-tion	Motor Type	Ring* Type	Dim. Ref.	Conn. Dia.	Notes
1/15	1050	115	3.3	42Y	<b>U6430</b>	Sleeve	CCWLE	A	B	1	93	5,6
1/8	1050	115	4.5	42Y	<b>U6431</b>	Sleeve	CCWLE	A	B	2	93	5,6



Type B



Type C



Type D

### PSC

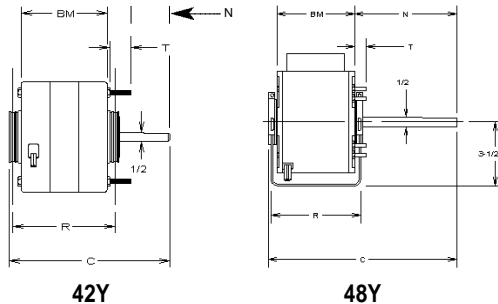
HP	RPM	Volts	Amps	Frame	Stock Number	Bear-ings	Rota-tion	Motor Type	Ring* Type	Dim. Ref.	Conn. Dia.	Notes
1/8	1075	115	2.6	42Y	<b>U6520</b>	Sleeve	REV.	B	B	3	49	5,7
1/8	1075	115	2.6	42Y	<b>U6521</b>	Sleeve	REV.	C	**	3	49	2,5,7
1/6	1075	115	2.8	48Y	<b>US1016</b>	Sleeve	REV.	D	**	4	49	1,3,7
1/6	1075	115	2.8	48Y	<b>US1016NB</b>	Sleeve	REV.	B	B	4	49	3,7
1/6	1075	115	2.2	48Y	<b>UH1016</b>	Ball	REV.	D	**	5	49	1,3,7
1/4	1075	115	4.9	48Y	<b>US1026</b>	Sleeve	REV.	D	**	4	49	1,3,7
1/4	1075	115	4.9	48Y	<b>US1026NB</b>	Sleeve	REV.	B	B	4	49	3,7
1/4	1075	115	4.9	48Y	<b>UH1026</b>	Ball	REV.	D	**	4	49	1,3,7
1/3	1075	115	5.3	48Y	<b>US1036</b>	Sleeve	REV.	D	**	6	49	1,3,7
1/3	1075	115	5.3	48Y	<b>US1036NB</b>	Sleeve	REV.	B	B	6	49	3,7
1/3	1075	115	5.3	48Y	<b>UH1036</b>	Ball	REV.	D	**	6	49	1,3,7

### Notes

1. 3.5" Shaft Height
2. 2.6" Shaft Height
3. 4 thru bolts on a 5.15 dia. bolt circle
5. 3 thru bolts on a 4.42 dia. bolt circle
6. 36" leads
7. 60" leads

\*For ring type, see page 155

\*\*Base included



### Approximate Dimensions

Ref.	BM	R	C	N	T
1	3.59	4.33	6.79	2.625	.5
2	4.09	4.83	7.89	3.25	.5
3	3.875	4.625	7.3125	2.92	.75
4	4.3125	4.92	7.85	2.9375	.625
5	4.24	4.80	8.5	3.78	.88
6	4.625	5.1875	8.125	2.9375	.625