

LIGHT FIXTURE # 9075-RGB-R



**THIS GUIDE CONTAINS IMPORTANT SAFETY INSTRUCTIONS.
SAVE THESE INSTRUCTIONS.**

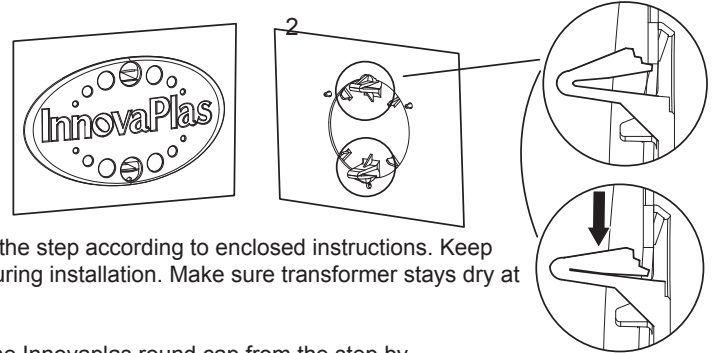
⚠ WARNING

- ◆ Before installation, carefully read the warnings and installation instructions.
- ◆ Risk of electrical shock.
- ◆ Failure to follow the safety instructions and warnings

TABLE OF CONTENTS

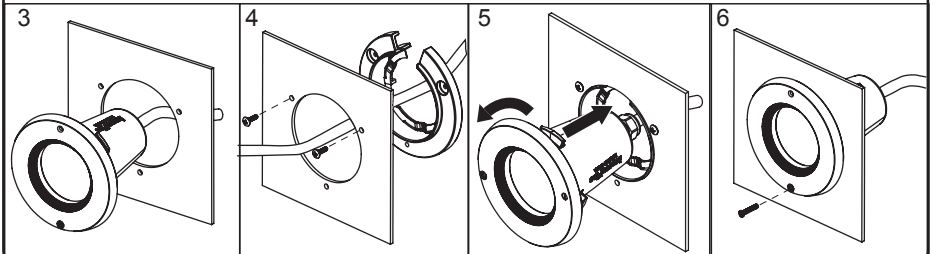
- A) Light installation on the step.
- B) Securing and installing the electrical cord and IR receiver.
- C) Before plugging in the product.
- D) Bulb replacement.
- E) Winter storage.

A LIGHT INSTALLATION ON THE STEP

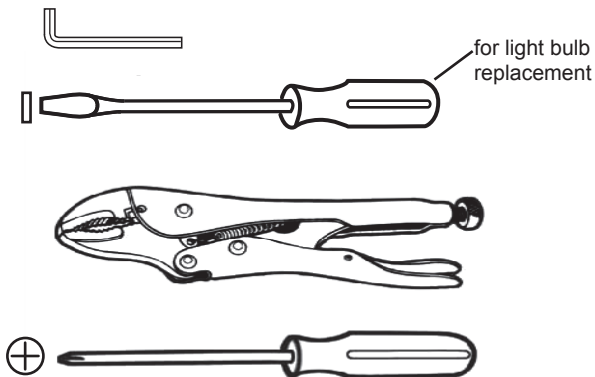


- 1) Assemble the step according to enclosed instructions. Keep step dry during installation. Make sure transformer stays dry at all times.
- 2) Remove the InnovaPlas round cap from the step by compressing the 2 clips at the back.
- 3) Insert the lighting fixture from the outside of the step.
- 4) Pass mounting ring through front of hole and fasten using the 2 screws provided.
- 5) Insert light fixture by aligning the ring and turning 1/4 turn towards left.
- 6) Apply locking screw. Plug it in.

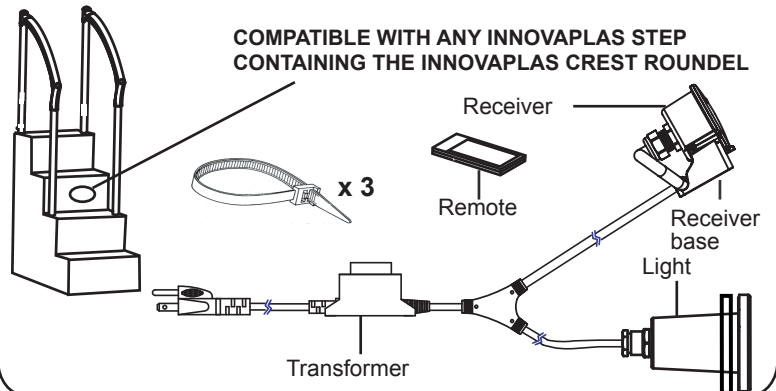
IMPORTANT: Use supplied tie-wraps to attach electric cord to a post as shown. Make sure transformer is located outside the pool.



TOOLS REQUIRED (Not Included)



REQUIRED FOR SKU # 9075-RGB-R

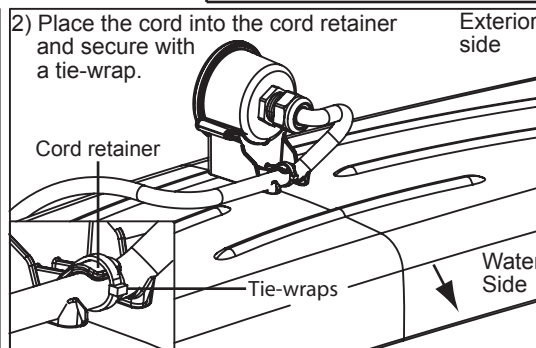
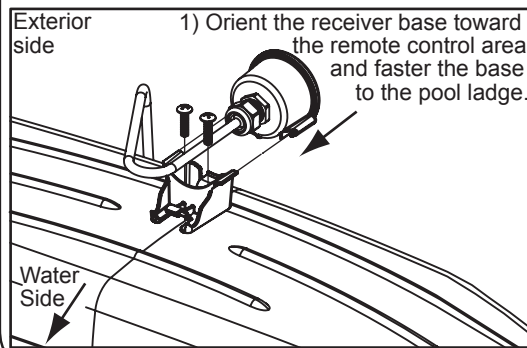
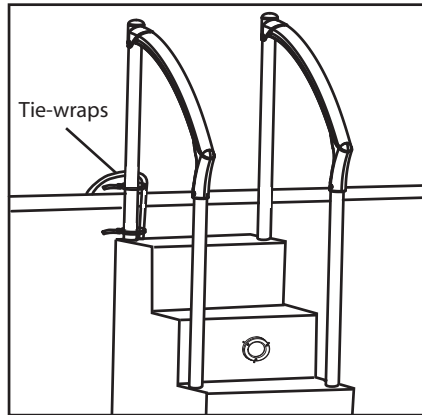


LIMITED WARRANTY

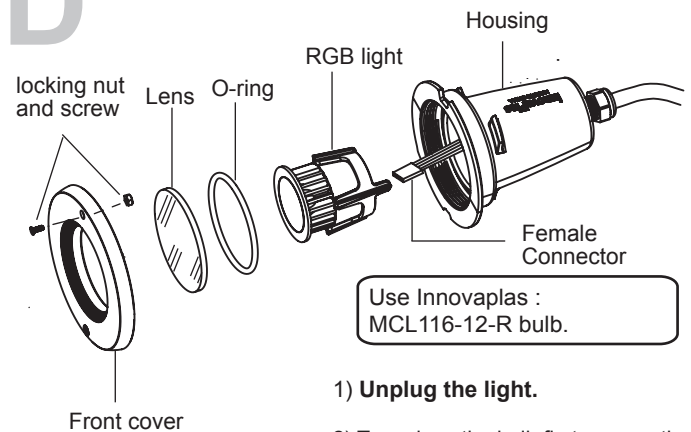
MANUFACTURER WARRANTY 90 days on the water tight seal and manufacturer defects. Replacement only.

B SECURING AND INSTALING THE ELECTRICAL CORD ANS IR RECEIVER

- 1) Firmly Attach the power cord to the rear posts using the 2 tie wraps provided. **Make sure the transformer is out of the water.**
- 2) Attach the first tie wrap at no more than 2 inches from the bottom of the post.



D BULB REPLACEMENT



- 1) **Unplug the light.**
- 2) To replace the bulb first remove the step from the pool.
- 3) Remove stainless steel screw and turn 1/4 turn towards the right to disengage from step.
- 4) Remove locking nut and screw, hold housing firmly and unscrew the cover.
- 5) Remove glass lens and O-ring.
- 6) Replace bulb. It is strongly recommended to change O-ring when replacing bulb.
- 7) Re-assemble light fixture. Make sure not to omit putting back locking nut and screw.

C BEFORE PLUGGING IN THE LIGHT

⚠ WARNING

- ◆ Make sure the underwater portion of the power cord has been tied tightly to the step with the tie wraps to prevent any entanglement.
- ◆ Risk of electrical shock. Connect only to a grounding-type receptacle protected by a GFCI. Do not use extension cords for connection. Failure to do so can result in death or severe injury.
- ◆ This is an electrical appliance. Unsupervised use of this product by children can result in death or serious injury.
- ◆ When plugging in the light, be certain the receptacle is GFCI protected and a minimum of 10 feet away from the pool.
- ◆ Before servicing the light unplug the power cord first.
- ◆ Do not immerse the receiver.

E WINTER STORAGE

⚠ CAUTION

- ◆ The lighting fixture may be damaged if subjected to freezing weather.
- ◆ Disconnect the 3 prong plug from the receptacle for storage.
- ◆ Remove the entire step assembly from the pool and allow all water to drain from the step and dry before storing.
- ◆ Store in a dry location unexposed to winter conditions.

F SAFETY INSTRUCTIONS

- ◆ Except when the luminaire is installed in an area of the swimming pool that is not used for swimming and the lens is adequately guarded to keep any person from contacting it, the luminaire shall be installed in or on a wall of the pool, with the top of the lens opening not less than 457mm (18 inches) below the normal water level of the pool.
- ◆ This light can only be installed on permanent above ground pools.
- ◆ Submerge before lighting to a maximum depth of 54 inches or 1.5 meters.
- ◆ To reduce risk of electrical shock, if any cord becomes damaged, return the entire transformer assembly for repair or replacement.
- ◆ Risk of electrical shock. Connect only to a grounding type circuit protected by a ground fault circuit interrupter (GFCI). Contact a licensed electrician if you cannot verify that the receptacle or circuit is protected by a GFCI. Do not use an extension cord. Locate your pool so that the wall is at least 10 feet from all electrical receptacles and at least 20 feet from all receptacles not protected by a GFCI.
- ◆ Do not use the light if the glass lens is damaged.
- ◆ Do not operate the light when not fastened to the step.

